

## Dimming control 1 gang

078409 663094 HA/HB4598  
079109 0672 39 L/N4598N

### Description

Radio control device for the control of an ON/OFF or Dimmer actuator, or a group of actuators.

When controlling ON/OFF actuators, it will only possible to switch the load on/off.

### Technical data

Power supply:	No. 1 lithium battery 3 V, CR2032 type
Duration of the batteries:	5 years
Operating temperature:	5 – 45 °C
Technology:	Radio 2.4 GHz standard ZigBee®
Capacity:	150 m free field, 15 m in rooms with concrete walls

### Dimensional data

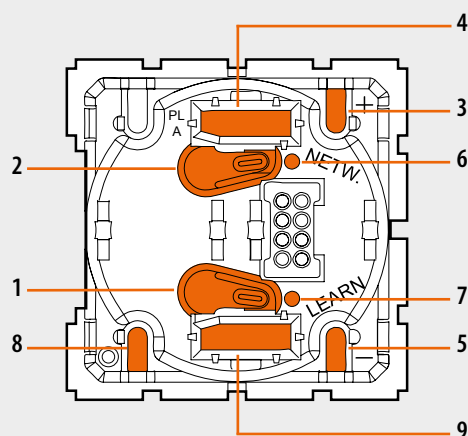
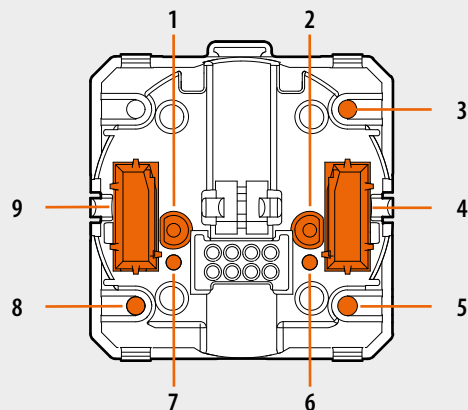
Size: 2 modules for surface mounted installation

### Configuration

“Push and Learn” self-learning type.

If the device is integrated in the BUS Automation system using the Gateway SCS/Zigbee interface it will be possible to manage BUS dimmer actuators, which address must be configured by connecting the configurators to the A and PL.

Front view



### Legend

1. LEARNING key
2. NETWORK key
3. + key: press and release to switch the load ON at 66% of its power, press and hold down to increase the power to the maximum value
4. Configurator socket (A,PL)
5. - key: press and release to switch the load ON at 33% of its power, press and hold down to decrease the power to the minimum value
6. NETWORK LED
7. LEARNING LED
8. ON/OFF key
9. Configurator socket (not used)