

4 scenario control RF

078449 663099 HA/HB4589
079149 0672 40 L/N4589N

Description

Radio control device used for saving and managing up to 4 scenarios max.

Technical data

Power supply: No. 1 lithium battery, 3 V, CR2032 type
Duration of the batteries: 5 years
Operating temperature: 5 – 45 °C
Technology: Radio 2.4 GHz standard ZigBee®
Capacity: 150 m free field, 15 m in rooms with concrete walls

Dimensional data

Size: 2 modules

Configuration

Radio system: "Push and Learn" self-learning type.

Wire system: If the device is integrated with the BUS Automation system using the Gateway SCS/Zigbee interface, it will be possible to manage scenarios saved in the scenario module item F420, which address must be specified by connecting the configurators to the A, PL, and M housings as indicated:

Use with scenario module F420:

A = Room

PL = Light point

M = operating mode (1 – 4). It associates to the 4 pushbuttons the scenarios saved by the scenario module (max. 16). The correspondence between the 4 control keys and the scenario numbers saved in the module is as follows:

Configurator in M	Scenario saved
1	scenario 1 – 4
2	scenario 5 – 8
3	scenario 9 – 12
4	scenario 13 – 16

Scenario programming

To program, change or delete a scenario, the programming of Module F420 must be enabled. This is confirmed by the status LED turning green (press the lock/unlock key of the scenario module for at least 0.5 seconds). After this has been done, proceed as follows:

- press one of the four control keys to which the scenario should be associated for 4 seconds. The corresponding LED starts flashing;
- Set the scenario using the corresponding controls for the various Automation, Temperature control, Sound system, etc. functions;
- confirm the scenario by quickly pressing the corresponding key on the control to exit the programming mode;
- to change a scenario, or to create new ones to use with the other keys, repeat the procedure starting from point 1;

To recall an already set scenario, a quick pressure of the corresponding key on the scenario control is enough.

NOTES:

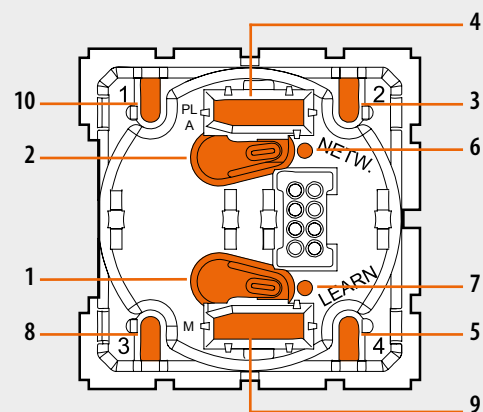
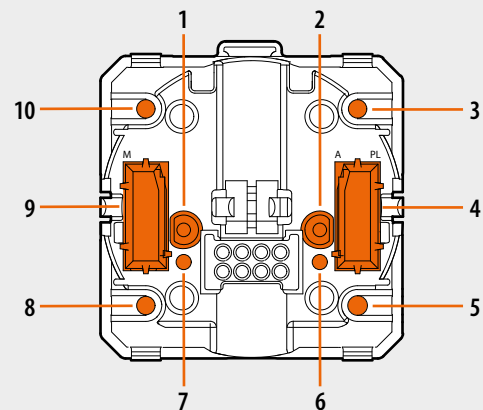
Once the necessary operations have been completed, lock the programming procedure, by pressing the lock/unlock key of the scenario module for at least 0.5 seconds, until the corresponding LED turns red.

To delete a scenario, proceed as follows:

- The scenario module must be enabled for programming;
- press the pushbutton of the to delete for at least 10 seconds. The corresponding LED will flash quickly for approx. 2 seconds, confirming that the scenario has been deleted. If the LED does not flash, the procedure has been unsuccessful.

To reset the whole memory, press the DEL key of the scenario module for 10 seconds. The yellow LED, "reset scenarios", will flash quickly.

Front view



Legend

- LEARNING key
- NETWORK key
- Scenario no. 2 key
- Configurator socket (A, PL)
- Scenario no. 4 key
- NETWORK LED
- LEARNING LED
- Scenario no. 3 key
- Configurator socket (M)
- Scenario no. 1 key