



Flush mounted loudspeakers

H4570

Description

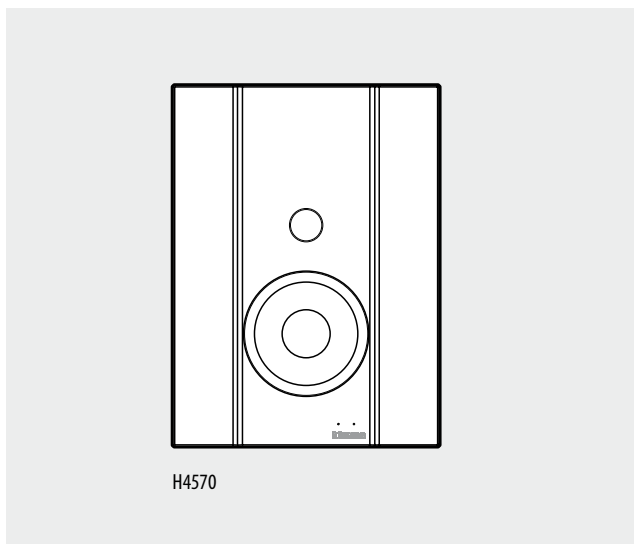
100 W, 8 Ω impedance, flush mounted loudspeaker, for installation inside MULTIBOX boxes, item 16104, with AXOLUTE series finish.
Preset for back installation of a DIN amplifier, item F502.

Technical data

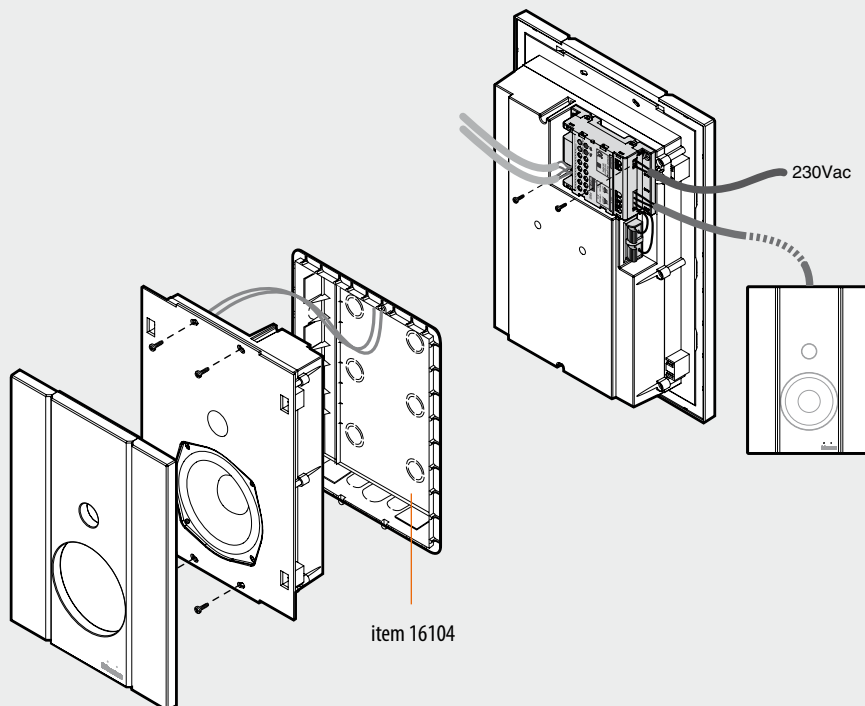
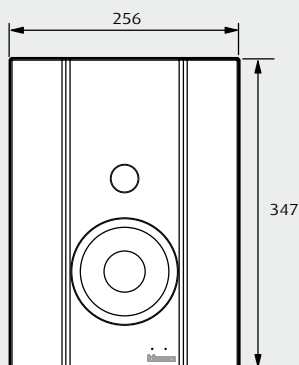
Type:	2 separate ways
Power:	50 Wrms/100 W musical
Impedance:	8 Ω
Frequency range:	50 - 20 kHz
Sensitivity:	88 dB (1 W/1 m)
Feature:	loudspeaker to be installed in flush mounted boxes item 16104. The loudspeaker has a compartment for the installation of the DIN item F502 amplifier.
Weight:	1.74 kg

Dimensional data

Size:	256x347x82 mm (lxhxd)
Depth of the flush mounted box:	80 mm



Dimensions and installation mode



BT00011-b-UK