

RF ZigBee transmitter with auxiliary inputs (2 inputs)

0883 31 3577

Description

This device gives the possibility of integrating traditional control devices (Two-way switch, switch, or pushbutton) in MY HOME radio systems.

The interface has 3 cables identified with C, 1, and 2 respectively, which connect to a two-way switch, or to a pushbutton.

The definition of the type of device connected (two-way switch, or pushbutton), and therefore of the interface operating mode, is done using appropriate pushbuttons found on the device itself; the preset mode (at the factory) requires connection to a two-way switch.

By configuring the A, PL, and MOD sockets, it will be possible to use this interface, together with the SCS/ZigBee gateway, for the radio extension of a MY HOME BUS system. The device is inside a Basic container with reduced sizes, for installation in flush mounted boxes, junction boxes, rolling shutter boxes, and trunking. Particularly advantageous is the installation inside junction boxes, positioning the item at the back of the flush mounted box, behind traditional devices.

Related items

Gateway SCS/ZigBee: HC/HD/HS4578 (Axolute),
L/N/NT4578N (Livinglight),
067250 (Arteor/Celiane)

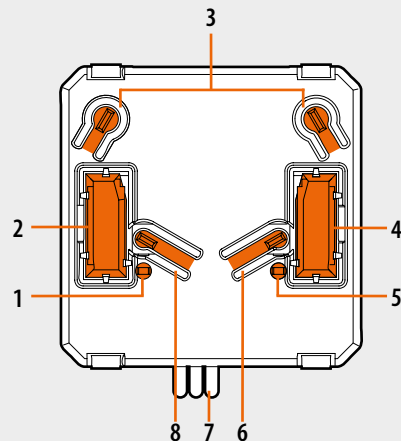
Technical data

Power supply: No. 1 lithium battery, 3V, CR2032 type
Duration of the battery: 5 years
Operating temperature: 5 – 45 °C
Technology: Radio 2.4 GHz standard ZigBee®
Capacity: 150m free field;
15m in rooms with concrete walls

Dimensional data

Size: basic module

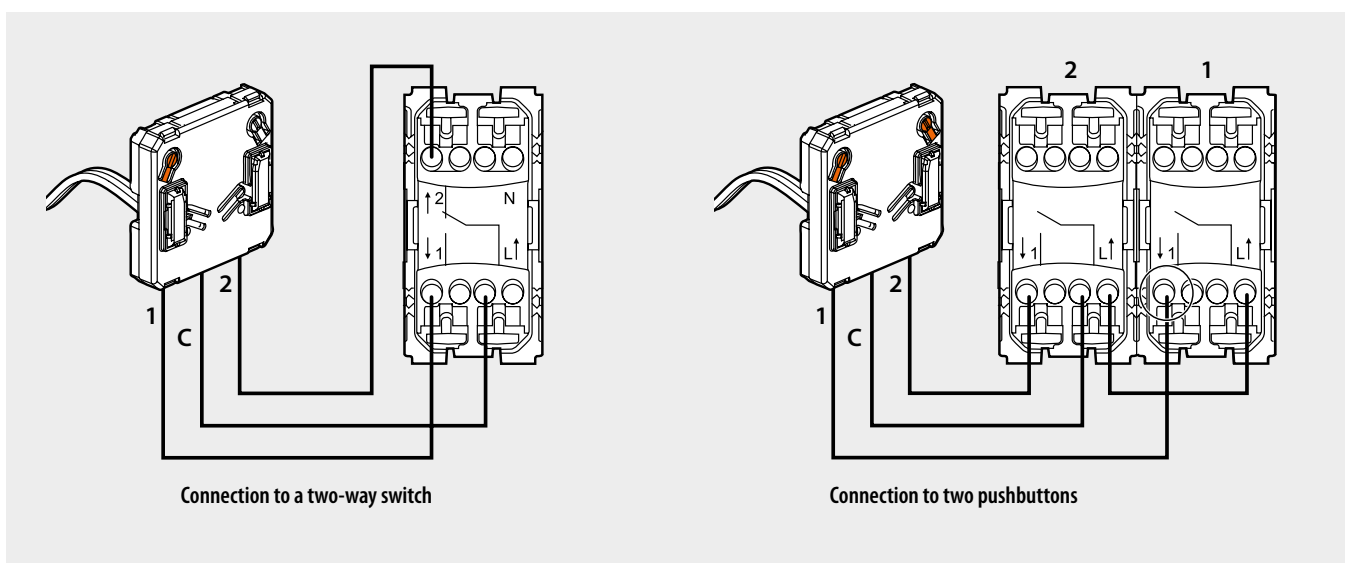
Front view



Legend

1. LEARNING LED
2. SCS My Home Configurator socket
3. Local CONTROL key
4. SCS My Home Configurator socket
5. NETWORK LED
6. NETWORK key
7. Wiring for connection to traditional devices
8. LEARNING key

Wiring diagram



Configuration

Configuration of the ZigBee network

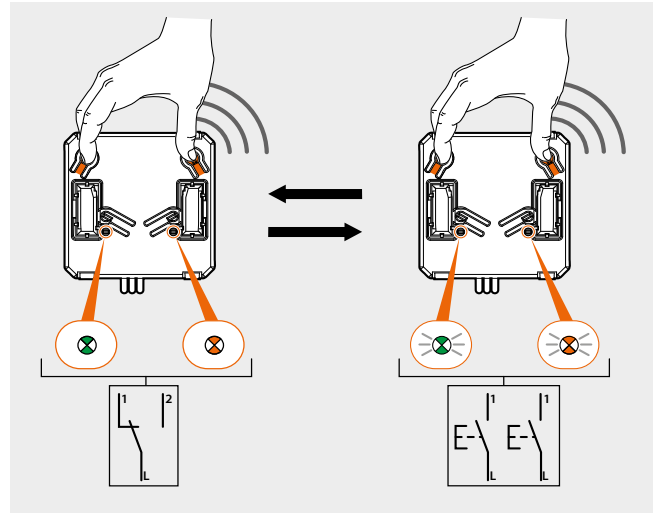
"Push and Learn" self-learning type.

Definition of the interface operating mode

The interface is already configured during production for connection to a two-way switch or to a switch. If connecting one or more pushbuttons, change the operating mode as indicated below:

1. Press the two pushbuttons on the interface for at least 5 seconds.
2. When the two LEDs (green on the left and orange on the right) flash slowly, release the pushbuttons. The interface is now preset for connection to one or more pushbuttons.

To restore "switch/two-way switch" mode, press the two interface pushbuttons for at least 5 seconds, and release them when the two LEDs come on steady (not flashing).



Operating test

After completing the wiring and defining the operating mode, the operation of the interface can be tested using the traditional devices connected, or the two pushbuttons:

- If the interface is in "two-way switch" mode, use the left pushbutton to send an ON command to the radio actuator associated to the two-way switch. Use the right pushbutton to send the OFF command.

- If the interface is in "pushbutton" mode, use the right pushbutton cyclically to send a cyclic ON and OFF command to the radio actuator associated with the P1 pushbutton. Use the left pushbutton to send a cyclic ON and OFF command to the radio actuator associated with the P2 pushbutton.

