

Mobile switch socket RF ZigBee for Schuko Standard





0883 23
0883 24
0883 25 3575

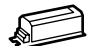


Description

Actuator device to be used with an electric socket, for ON/OFF control of a load with maximum power 2500 W. The mobile socket can be managed with one or more radio controls or locally using an appropriate pushbutton that can be found on the top section of the device.

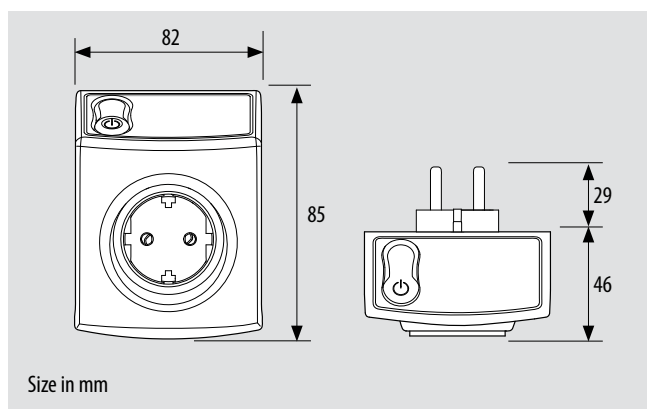
Technical data

Power supply: 100 - 240 Vac; 50/60 Hz
 Operating temperature: 5 – 45 °C
 Technology: Radio 2.4 GHz standard ZigBee®
 Capacity: 150 m free field;
 15 m in rooms with concrete walls
 Power/absorption of the loads driven: see following table

Voltage	Incandescent lamp	Halogen lamp	Fluorescent tube lamp	Ferromagnetic transformer
				
230 Vac	2500 W	2500 W	1250 W	2500 VA
110 Vac	1250 W	1250 W	625 W	1250 VA

Voltage	Electronic transformer	Compact fluorescent tube lamp	LED lamps
			
230 Vac	2500 W	1250 W	1250 W
110 Vac	1250 W	625 W	625 W

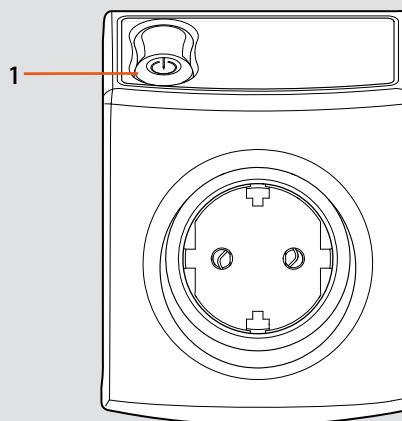
Dimensional data



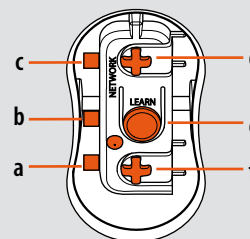
Configuration

“Push and Learn” self-learning type.

Front view



Detail point 1



Legend

- ON/OFF key. The programming pushbuttons and LEDs can be found under the protection:
 - CONTROL key LED
 - LEARNING LED
 - NETWORK LED
 - NETWORK key
 - LEARNING key
 - CONTROL key

Assembly, installation

