

Mobile switched dimmer socket RF ZigBee for Schuko Standard

0883 20
0883 21
0883 22 3574


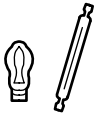


Description

Actuator device to be used with an electric socket, for dimmer control of a load with maximum power 500 W. The mobile socket can be managed with one or more radio controls or locally using an appropriate pushbutton that can be found on the top section of the device.

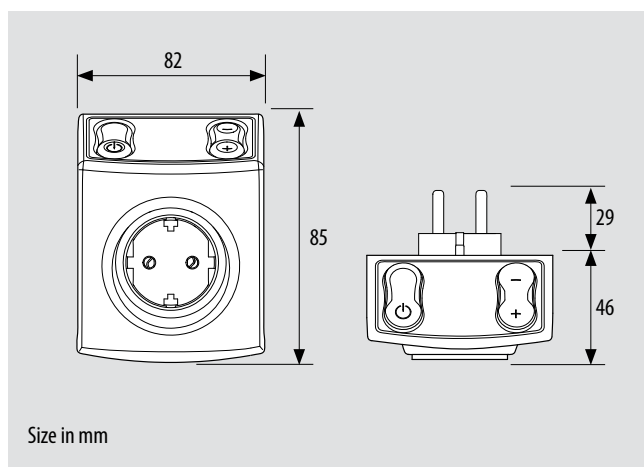
The device is protected from overheating caused by overload through an appropriate protection circuit that intervenes automatically by reducing the power to the load.

Technical data

Power supply:	100 – 240 Vac; 50/60 Hz
Operating temperature:	5 – 45 °C
Technology:	Radio 2.4 GHz standard ZigBee®
Capacity:	150 m free field; 15 m in rooms with concrete walls
Power/absorption of the loads driven:	see following table

Voltage		Incandescent lamp	Halogen lamp	Ferromagnetic transformer	Electronic transformer
Voltage					
230 Vac	max.	500 W	500 W	500 VA	500 VA
	min.	50 W	50 W	60 VA	60 VA
110 Vac	max.	250 W	250 W	250 VA	250 VA
	min.	50 W	50 W	60 VA	60 W

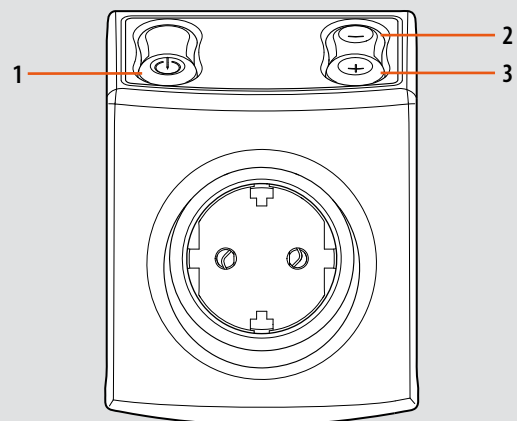
Dimensional data



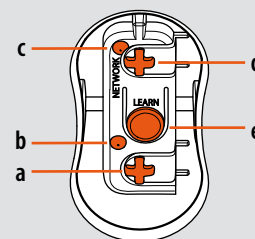
Configuration

“Push and Learn” self-learning type.

Front view



Detail point 1



Legend

- ON/OFF key. The programming pushbuttons and LEDs can be found under the protection:
 - CONTROL key
 - LEARNING LED
 - NETWORK LED
 - NETWORK key
 - LEARNING key
- key: press and hold down to decrease the power to the minimum value.
- + key: press and hold down to increase the power to the maximum value

Assembly, installation

