

Description

Flush mounted control for installation inside the room, for the activation of the “Do Not Disturb” or “Make Up Room” notifications on the indicator outside the door.

The device can be configured in two different ways:

- **Physical configuration**, by inserting the configurators in the appropriate housings.
- **Configuration using the MyHOME_Suite software**, which can be downloaded from the website www.homesystems-legrandgroup.com; this last type of configuration has the advantage of offering many more options when compared with the physical configuration.

Technical data

Power supply from SCS BUS: 18 – 27 Vdc
Absorption: max. 7.5 mA
Operating temperature: 5 – 40 °C

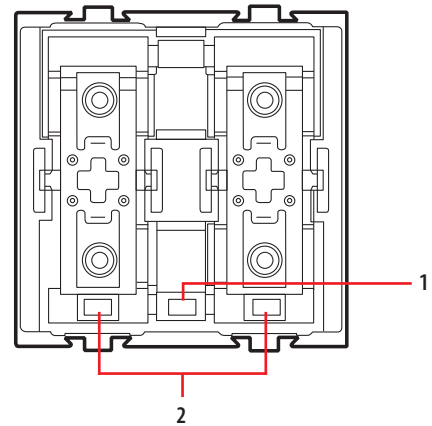
Standards, Certifications, Marks

EN 60669-2-1
EN 50090-2-2
EN 50090-2-3
EN 50428

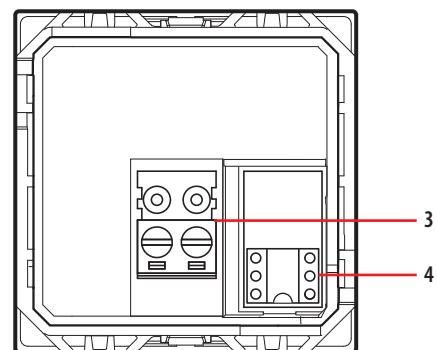
Dimensional data

Size: 2 flush mounted modules

Front view



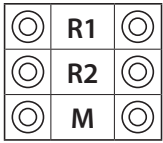
Rear view



Legend

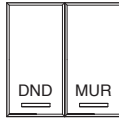
1. LED adjustment/disable pushbutton
2. LED:
AXOLUTE/ARTEOR/CÉLIANE: BLUE: message not active
PURPLE: message active
LIVINGLIGHT: GREEN: message not active
ORANGE: message active
3. Clamps for connection to the SCS BUS
4. Configurator socket

Physical configuration

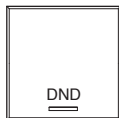


R1, R2 = Room address (R1 identifies the tenths; R2 identifies the units)

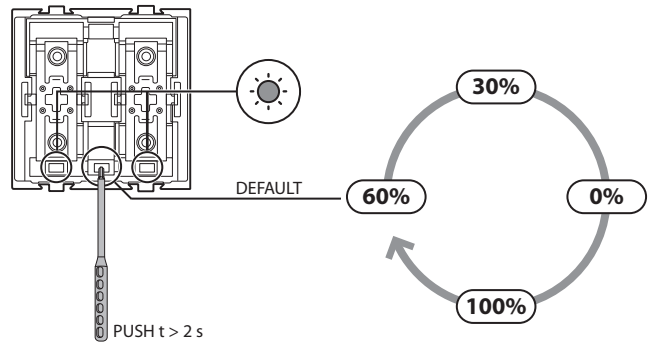
M = 0 DND and MUR active - 2 x 1 module key covers



M = 1 DND control only - 1 double key cover



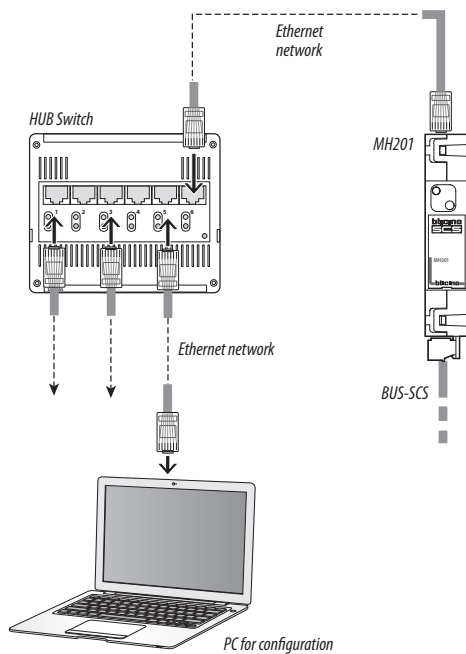
LED brightness adjustment



Configuration using the MyHOME_Suite software

This is performed using the appropriate MyHOME_Suite application. This mode has the advantage of offering many more options when compared with the physical configuration. The software configuration requires Ethernet connection between the system and the PC, through the IP MH201 scenario module.

Ethernet connection to the system



Wiring diagrams

Principle and configuration diagram for a hotel room

