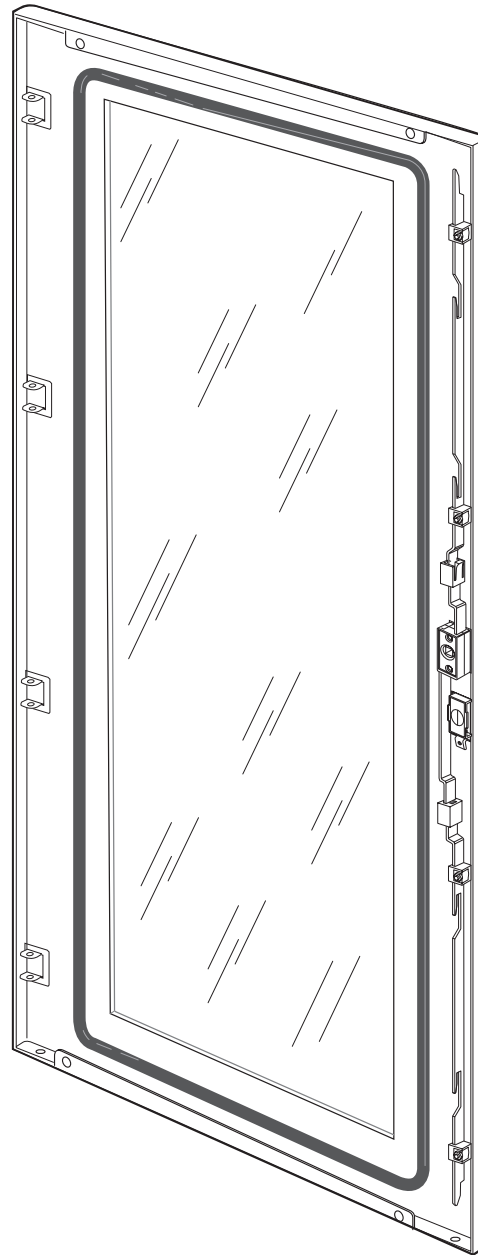
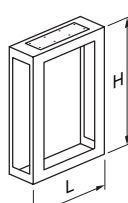
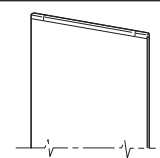
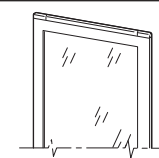
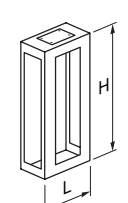


# IP65



1

						
	H (mm)	Art.	Art.		H (mm)	Art.
		<b>L = 600</b>			<b>L = 400</b>	
	1400	<b>92670L</b>	<b>92670V</b>		1400	<b>92470L</b>
	1600	<b>92680L</b>	<b>92680V</b>		1600	<b>92480L</b>
	1800	<b>92690L</b>	<b>92690V</b>		1800	<b>92490L</b>
	2000	<b>92690L/10</b>	<b>92690V/10</b>		2000	<b>92490L/10</b>
		<b>L = 800</b>				
	1400	<b>92870L</b>	<b>92870V</b>			
	1600	<b>92880L</b>	<b>92880V</b>			
	1800	<b>92890L</b>	<b>92890V</b>			
	2000	<b>92890L/10</b>	<b>92890V/10</b>			

