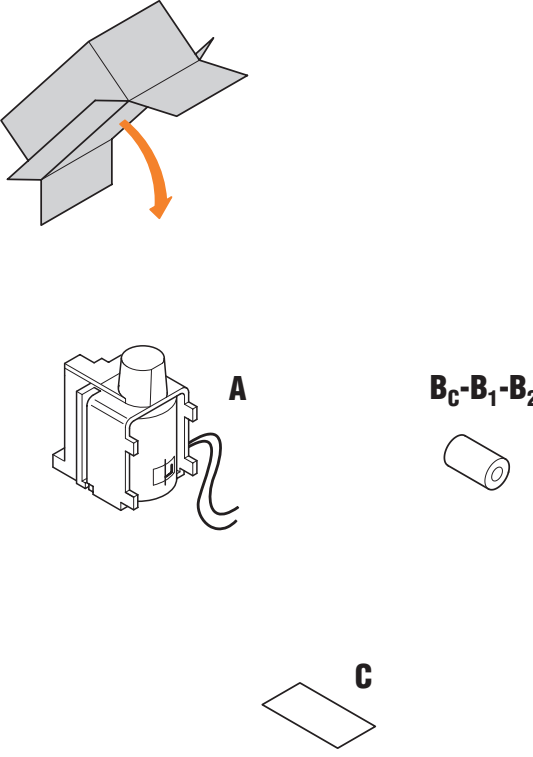
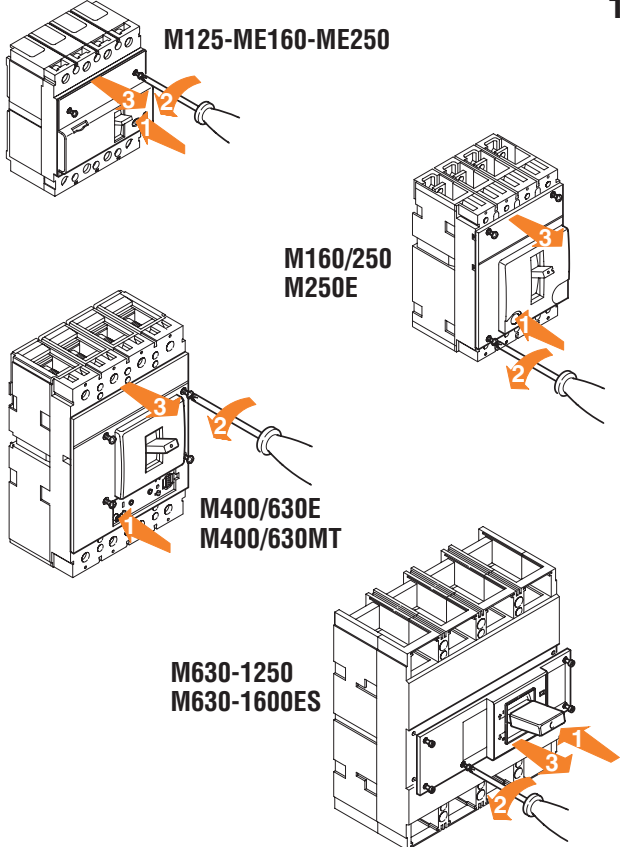
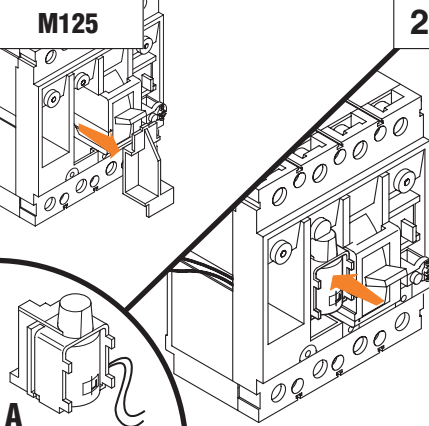


M5T/...

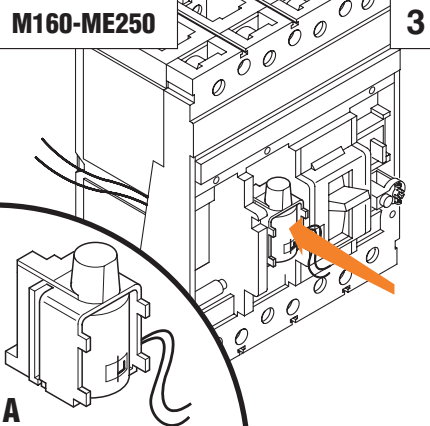
	M5T
A	1
B _c	2
B ₁	1
B ₂	1
C	1

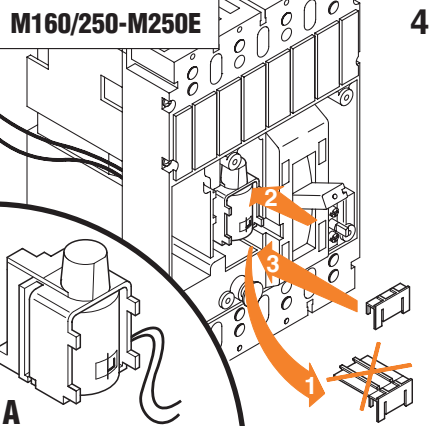
M125 **2**



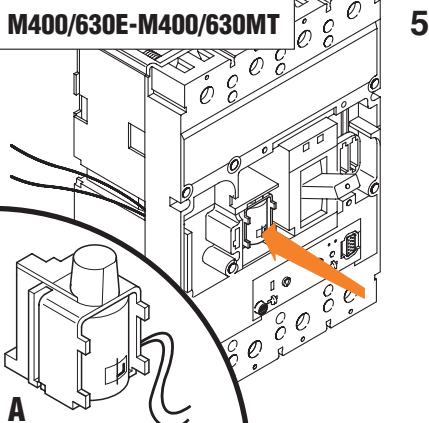
M160-ME250 **3**



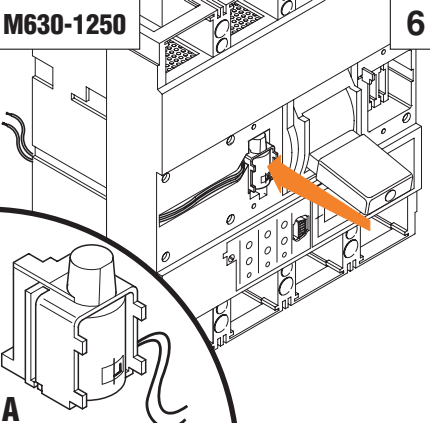
M160/250-M250E **4**



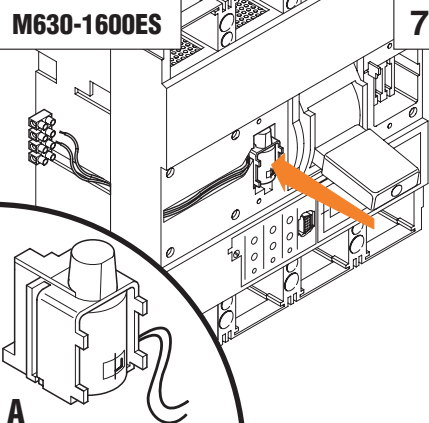
M400/630E-M400/630MT **5**

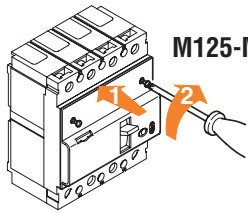


M630-1250 **6**

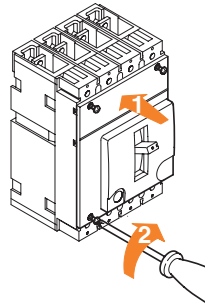


M630-1600ES **7**

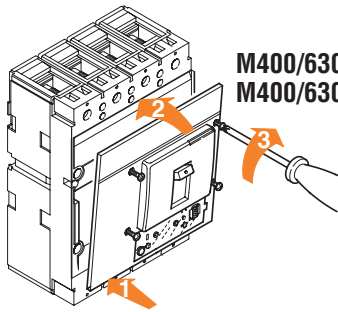




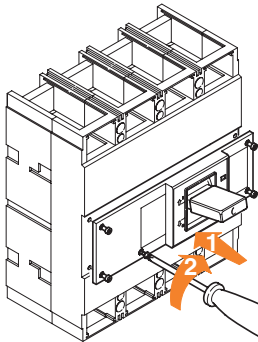
M125-ME160-ME250



**M160/250
M250E**

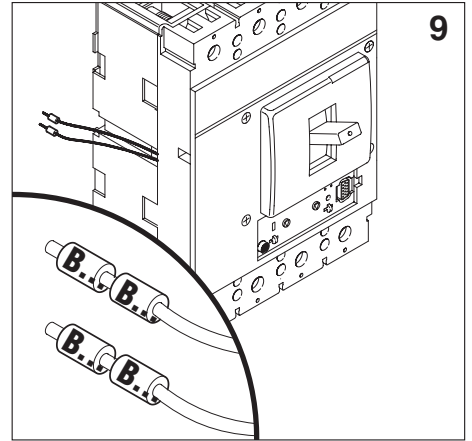


**M400/630E
M400/630MT**

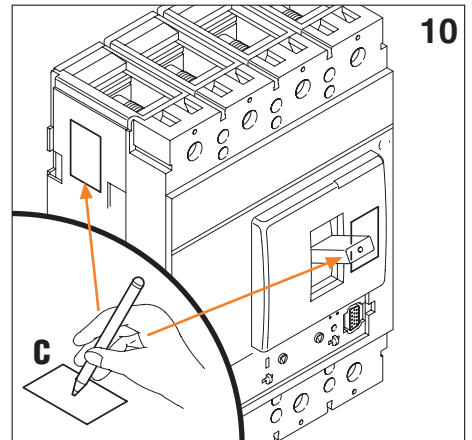


**M630-1250
M630-1600ES**

8



9



10